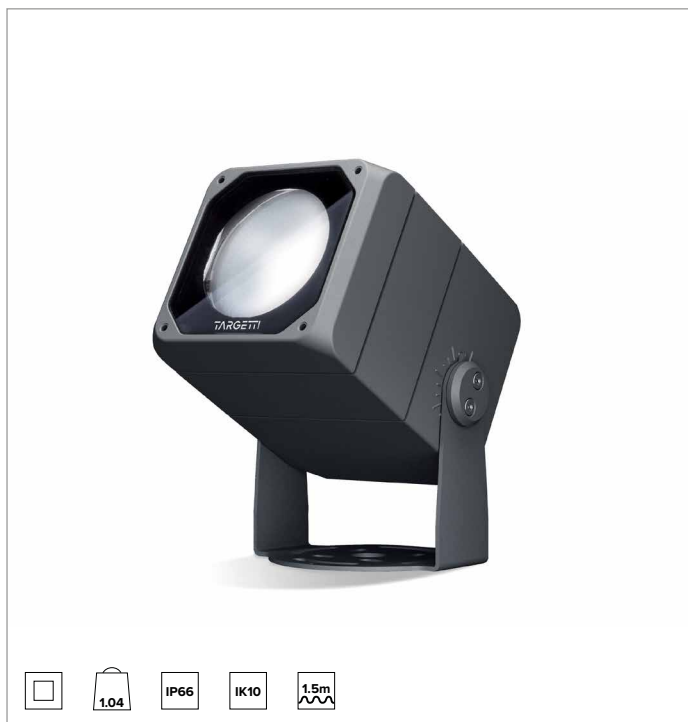
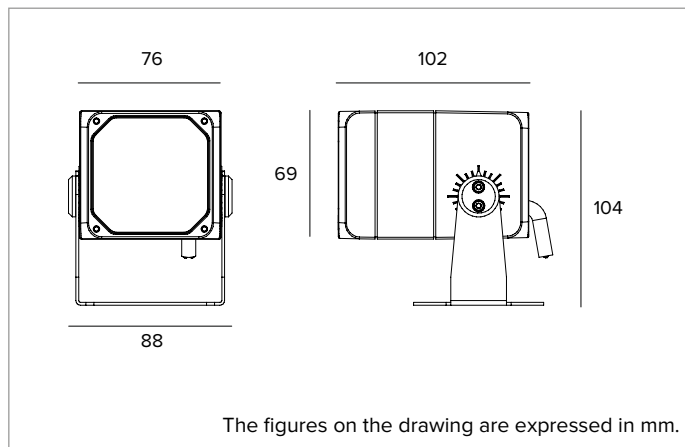


1E3056EL | DART Small Professional adjustable LED projector



		3000K	H(m)	D(m)	Emax(lx)	
		Ra80		9°		
		Fixture Power	5W	1	0.15	4041
		Source Flux	200lm	2	0.30	1010
		Fixture Flux	147lm	3	0.46	449
		Efficacy	28lm/W	4	0.61	253
TS937	Imax=20203cd/klm	Imax	4041cd	5	0.76	162



SOURCE

High efficiency Ra80 LED Emitter.

Energy efficiency class: G

Nominal power: 2,7W

Nominal flux: 200lm

Colour rendering index: 80

Rf: 82.9

Rg: 98.8

CCT nominal: 3000K

SDCM: 2

Lifetime (L80/B10): >50000h tq +25°C

ILLUMINOTECHNICAL CHARACTERISTICS

Equipped with methacrylate lenses.

Optic: LENS

Beam angles: NSP

Optical efficiency: 74%

Fixture flux: 147lm

Luminous efficacy: 28lm/W

Photobiological safety: Compliant with RG1 low risk group

MECHANICAL CHARACTERISTICS

Painted die-cast anodised aluminium body and painted stainless steel mounting bracket. ±20° rotation on the horizontal plane and 0-180° on the vertical plane.

Colour and finish: Ferrite

Weight: 1.04Kg

Degree of protection: IP66

Mechanical Resistance: IK10

ELECTRICAL CHARACTERISTICS

Integrated electronic power supply. Pre-cabled with a 1.5m H07RN-F cable.

Fixture Power: 5W

Power supply: 220-240Vac 50/60Hz

Insulation Class: CLASS 2

Type of driver / Control: ON-OFF

Driver included: YES

Class F: YES

Ambient temperature: -25°C / +35°C

INSTALLATION

Mounting bracket with aiming adjustability.

NOTES

Uses the "Waterblock Smart" technical solution that involves resin coating the connection cables, limiting the risk of humidity reaching the driver or the fixture. It is possible to subject the product to Cataphoresis treatment on request. 110-277Vac version available on request.

WARRANTY

5 years.

WARNING

Luminaire designed for disposal/recycling at end-of-life. Replaceable (LED only) light source by a professional. Replaceable control gear by a professional.

Due to the technological evolution of the electronic components, the data provided may be updated, and as such, confirmation must be requested during the order process.

Luminous flux and power supply have +/-10% tolerances with respect to the indicated value. tq +25°C (CIE 121).

We reserve the right to make technical changes.

Targetti Sankey S.r.l.
Via Pratese, 164
50145 Firenze - Italy
Tel: +39 055 37911
targetti.com
targetti@targetti.com

CCIAA Firenze
Share Capital:
€ 500.000,00
VAT N. (IT):
01537660480
R.E.A: FI-275656

TARGETTI

1E3056EL | DART Small Professional adjustable LED projector

Accessories

Filter



Ø mm	Code
53	1E3012

Blade of light filter.
PMMA holographic filter for a blade of light effect.
To be completed with a dedicated holder ring.

Grid



Colour	Code
	1E3014

Anti-glare louver.
The central elements may be removed to obtain two different levels of glare control.
Powder coated stainless steel.

Screen



Colour	Code
	1E3013

Asymmetric screen.
Powder coated stainless steel.

Mounting System



Colour	Code
	1E3015

Plate for fixture rotation.
Powder coated stainless steel.



Dimensions ØxH mm	Colour	Code
70x182		1E3016

Earthspike.
Powder coated stainless steel.

Holder Ring



L mm	Colour	Code
66		1E3011

Holder ring.
Powder coated stainless steel.

Connector



Code
1E2769

Linear connection box IP66/IP68.
5 poles max. wire section 1.5mm².
Cable diameter range from 7 to 12mm.

Due to the technological evolution of the electronic components, the data provided may be updated, and as such, confirmation must be requested during the order process.
Luminous flux and power supply have +/-10% tolerances with respect to the indicated value. tq +25°C (CIE 121).

We reserve the right to make technical changes.

Targetti Sankey S.r.l.
Via Pratese, 164
50145 Firenze - Italy
Tel: +39 055 37911
targetti.com
targetti@targetti.com

CCIAA Firenze
Share Capital:
€ 500.000,00
VAT N. (IT):
01537660480
R.E.A: FI-275656

TARGETTI

1E3056EL | DART Small Professional adjustable LED projector

Surge protector



Code

A013B

Surge protector compatible with CLASS II lighting fixtures and electronic drivers.

Operating voltage 220-240Vac.

SPD type 2+3.

Max surge protection 10kV.

CLASS II

IP67

Due to the technological evolution of the electronic components, the data provided may be updated, and as such, confirmation must be requested during the order process.

Luminous flux and power supply have +/-10% tolerances with respect to the indicated value. tq +25°C (CIE 121).

We reserve the right to make technical changes.

Targetti Sankey S.r.l.
Via Pratese, 164
50145 Firenze - Italy
Tel: +39 055 37911
targetti.com
targetti@targetti.com

CCIAA Firenze
Share Capital:
€ 500.000,00
VAT N. (IT):
01537660480
R.E.A: FI-275656

TARGETTI